

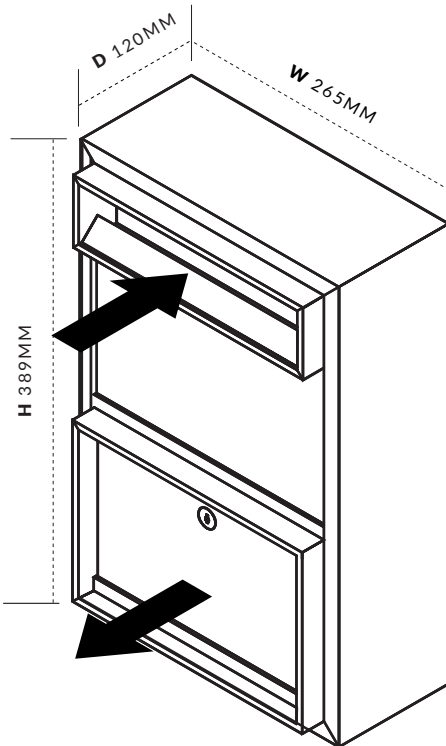
# COM 1 HEAVY DUTY MAILBOX DATASHEET

The COM 1 heavy-duty mailbox is a variation on the classic COM 1. This heavy duty version is built with reinforced materials and enhanced security features. As standard this box includes a gap-restricting aperture, an anti-leverage surrounding trim, and a retrieval door equipped with a welded claw to eliminate leverage points and ensure maximum security.

It is finished with a polyester powder coating paint, available in a selection of colours from our standard RAL range.

## DIMENSIONS

APERTURE SIZE (MM): 13H X 229W



## MAILBOX FEATURES:

### Overview

- Dimensions (mm): 389H x 265W x 120D
- Aperture Size (mm): 13H x 229W
- Can securely store A4 Mail
- Fitted with a security CAM lock and supplied with 2 coded keys as standard

### Finishes

- Strengthened Zintec Steel & Aluminium Extrusion
- Polyester powder coating paint
- Available in all standard RAL colours as standard
- Option to upgrade to any RAL colour for an additional fee

### Installation Options

- Bankable up to 4 high, no restrictions on width
- Can also be used as a single box
- Freestanding – on support legs
- Recessed or Wall Mounted
- Bespoke Arrangement

### Applications

- Suitable for internal and external use

### Compliance

- BS EN13724 Compliant
- Conforms to Secured by Design Homes 2025 guidelines

### Accessories/Optional Extra

- Can be engraved or fitted with Vinyl lettering
- A variety of colour strips available



One Cartwright Gardens

