

# COM 1 MAILBOX DATASHEET

One Cartwright Gardens

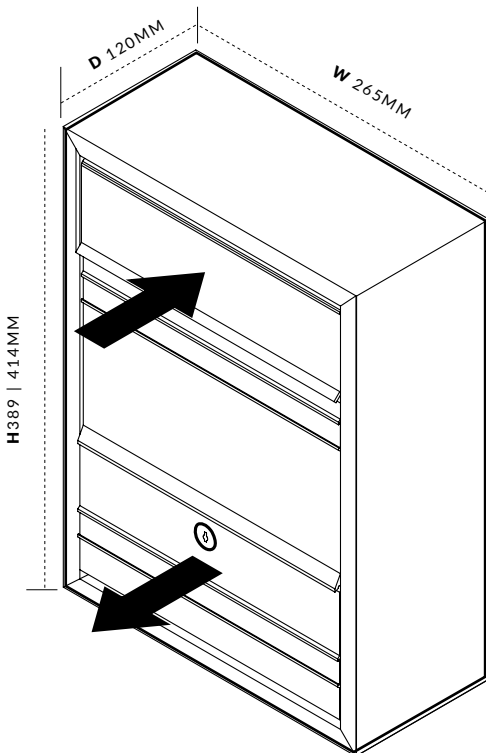


The COM 1 mailbox is a versatile front-loading, front-retrieval unit, suitable for wall recessing, wall mounting, or freestanding installations. It comes in various heights, accommodating different mail storage needs, all designed to accept A4-sized mail. Mailboxes can be stacked up to three units high and configured with unlimited width.

A range of accessories are available for the COM 1, including vibrant identification labels, engraving options, vinyl lettering, freestanding posts, and aperture restrictors.

## DIMENSIONS

389 MODEL APERTURE SIZE (MM): 28.5H X 235W  
414 MODEL APERTURE SIZE (MM): 42H X 235W



## MAILBOX FEATURES:

### Overview

- Available in two dimensions (mm): **389H x 265W x 120D** / **414H x 265W x 120D**
- Aperture Size (mm): 414H Model: 42H x 235W / 389H Model: 28.5H x 235W
- Both will accept A4 Mail
- Fitted with a security CAM lock and supplied with 2 coded keys as standard

### Finishes

- Aluminium Extrusion & Zintec steel
- Polyester powder coating paint
- Available in all standard RAL colours as standard
- Option to upgrade to any RAL colour for an additional fee

### Installation Options

- Bankable up to 4 high, no restrictions on width
- Can also be used as a single box
- Freestanding – on support legs
- Recessed or Wall Mounted
- Compatible with door entry systems
- Bespoke Arrangement

### Applications

- Suitable for internal and external use

### Compliance

- BS EN13724 Compliant
- Conforms to Secured by Design Homes 2025 guidelines

### Accessories/Optional Extra

- Can be engraved or fitted with Vinyl lettering
- A variety of colour strips available

