

STEEL 2 MAILBOX DATASHEET



Howard Gardens Project

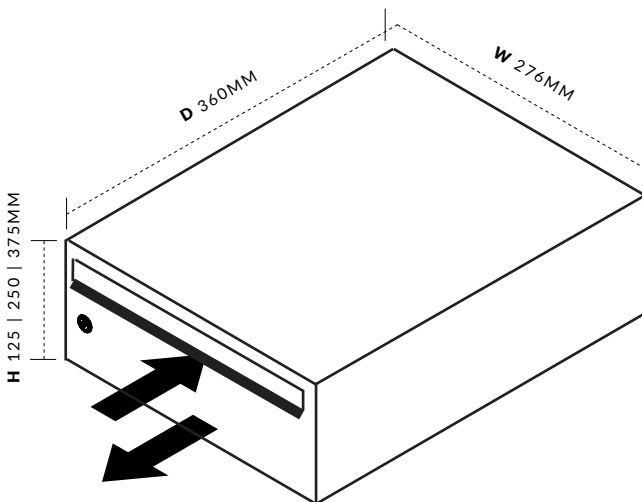
The Steel 2 mailbox is a front-entry, front-retrieval horizontal model, manufactured to offer a high quality finish that combines affordable pricing with a security focused design.

Its full-sized Steel door is recessed into the body to enhance security and reduce the risk of leverage attacks.

Constructed from durable Zintec Steel, the Steel 2 mailbox is finished with a polyester powder coating paint and is available in a choice of RAL colours from the standard range.

DIMENSIONS

APERTURE SIZE (MM): 21.5H X 235W



MAILBOX FEATURES:

Overview

- Dimensions (mm): 125H x 276W x 360D (Base Box 135mm)
- Double Height (Base box - 260H)
- Triple Height (Base box - 385H)
- Aperture Size (mm): 21.5H x 235W
- All models will accept A4 Mail

Finishes

- Zintec Steel
- Polyester powder coating paint
- Available in all standard RAL colours as standard
- Option to upgrade to any RAL colour for an additional fee

Installation Options

- Bankable up to 10 high, no restrictions on width
- Can also be used as a single box
- Freestanding – on support legs or table
- Recessed or Wall Mounted
- Bespoke Arrangement

Applications

- Suitable for internally and externally use (with additional weather cladding)

Compliance

- BS EN13724 Compliant
- Class 0 (BS476 : Part 6 & 7)
- Conforms to Secured by Design Homes 2025 guidelines

Accessories/Optional Extra

- Can be engraved or fitted with Vinyl lettering
- Aperture restrictors
- Identification labels

